

axxess PLUS



Single lid with brush-strip option (veneered)

AxxessPLUS is a frame-less, perfectly flush, in-desk box that provides connectivity to services in conference desks or boardroom tables.

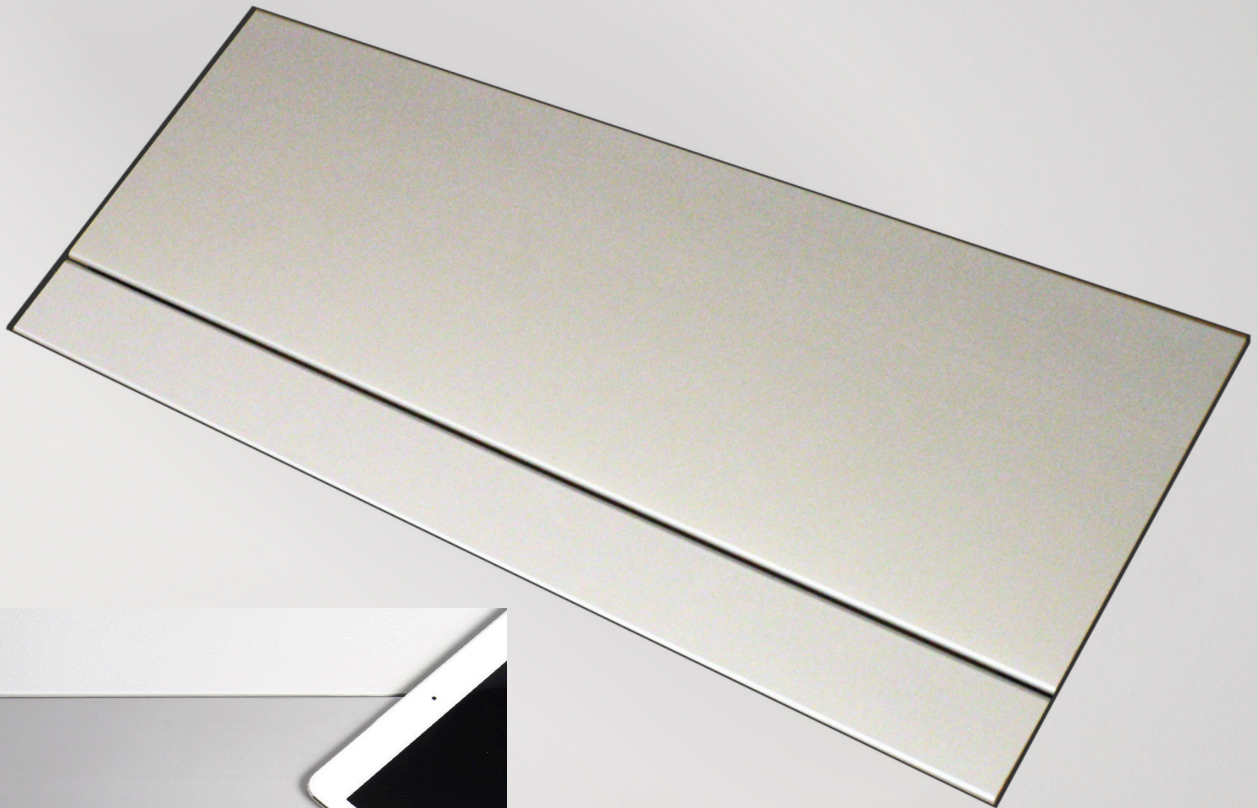
Designed to complement the workspace axxessPLUS sits flush for a streamlined look while providing easy access to power, TUF USB fast charging, data and AV services. TUF-HP USB C laptop charging is also available as an option.

AxxessPLUS comes with a single lid, with either a cable flap or black brush pile strip to facilitate cable feed.

Available in black, white or naturally anodised aluminium or can be veneered to perfectly maintain the superb finish of the work surface, complimenting the design of the workspace.

AxxessPLUS is available in two sizes, QF25 or QF45 or longer custom lengths available by request.

Cable flap option (natural anodised)



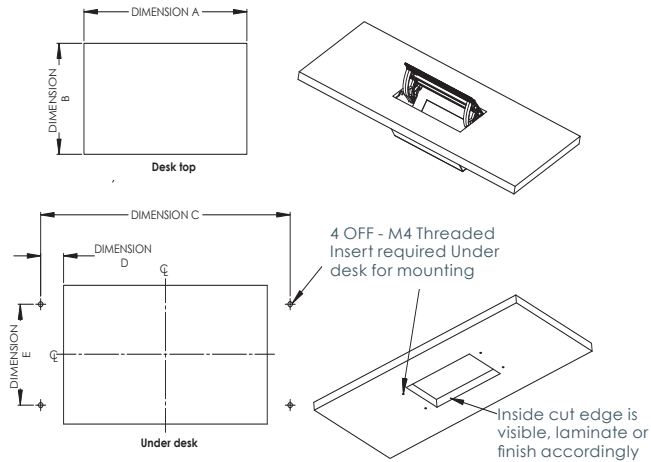
axxess PLUS TECHNICAL

COMMON COMPONENTS



* Wide range of Data / AV cutouts and couplers available on request

AXXESSPLUS CUT-OUT AND FIXING DETAILS



AXXESSPLUS BRUSH PILE (SINGLE) LID

AXXESSPLUS	A	B	C	D	E
2 GPO	182.00	110.00	223.00	20.50	80.00
4 GPO	262.00	110.00	303.00	20.50	80.00

AXXESSPLUS CABLE FLAP (DOUBLE) LID

AXXESSPLUS	A	B	C	D	E
2 GPO	182.00	120.00	223.00	20.50	80.00
4 GPO	262.00	120.00	303.00	20.50	80.00

FEATURES

Two Sizes Available: AxxessPLUS QF25 or AxxessPLUS QF45. Utilises the **OE Elsafe QikFIT** range of components including TUF USB C laptop charging.

Power and Data configurations available

- Power or Data only
- Power and USB Fast Charging
- Combined (Power, USB Fast Charging & Data/AV)
- TUF-HP (high powered) USB Laptop Charging option
- International Sockets available on request

Reversible USB A Port: Accepts cable both ways.

Insulation: QikFIT modules with reinforced insulation.

Testing: 100% testing – continuity, polarity, insulation & earth.

Flush Mounting Brackets: Ensures perfect surface match on installation.

Lid Type: Natural anodised aluminium cable flap or black brush pile. Both lid options are designed to keep out dust when cables are connected and when not in use.

Cable Guides at both ends: Guides cables towards the lip to protect cables.

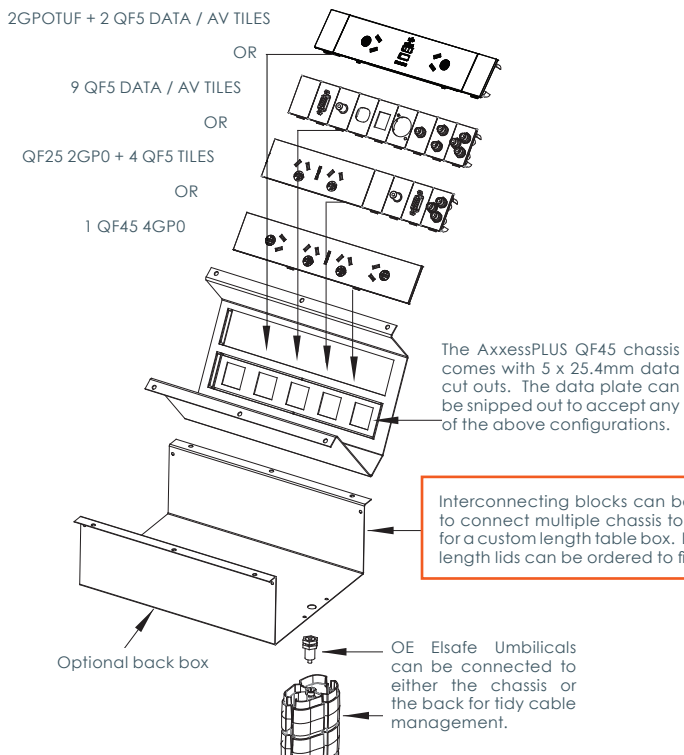
Fitting: Please see website for detailed fitting instructions.

Colours: Natural anodised aluminium or powder coated black or white. Chassis – Powder coated black or white

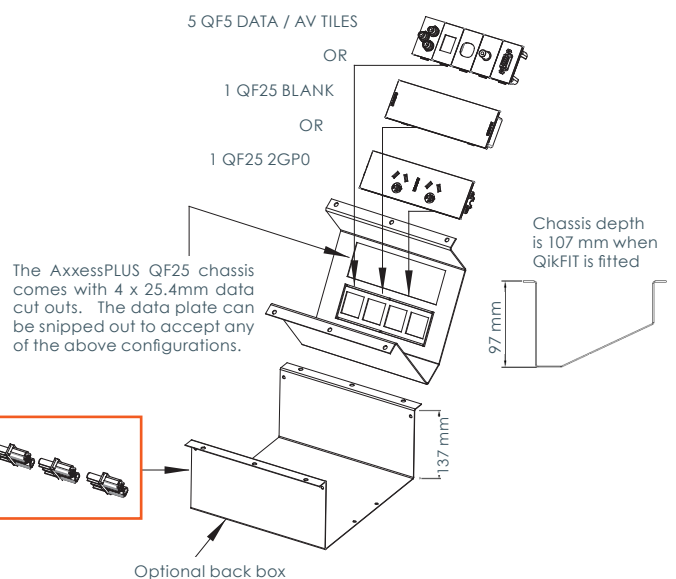
QikFIT Fascias: QikFIT power, data and AV modules come as standard in black or white

Recessed lid option: Recessed to allow for table veneer from 0.5mm -0.8mm.

AXXESSPLUS QF45 EXPLODED VIEW



AXXESSPLUS QF25 EXPLODED VIEW



AxxessPLUS is designed and intended for commercial use.

Ph: 1300 ELSAFE | www.oeelsafe.com.au | sales@oeelsafe.com.au